

Features



- Miniature automotive relay.
- Max. switching current: 30A.
- High power automotive relay.
- Both single and dual relays available.

Contact Capacity

Model	YAR
Nominal Switching Capacity	N0/NC: 40A/30A 13.5VDC
Max. swithing current	40A
Max. swithing voltage	30VDC
Max. swithing power	560W

Characteristic Data

Contact material	Silver alloy	
Initial contact resistance	100mΩ Max.	
Operate time	10 msec. Max.	
Release time	10 msec. Max.	
Initial insulation resistance	100MΩ Min. (DC500V)	
Initial dielectric strength	Between open contacts: AC500V,50/60HZ 1Min. Between coil and contacts: AC500V,50/60HZ 1Min.	
Vibration resistance	6G 10-55 HZ	
Shock resistance	30G 10-55HZ	
Endurance (operations)	Mechanical	5,000,000 times
	Electrical	Res. Load: 300,000 20A 13.5 VDC
		Wiper motor: 300,000 25A on, 5A off, L=1.0mh
		Motor locker: 100,000 20A 13.5 VDC L=0.77mh
		Lamp load(N0): 100,000 inrush current 100A , steady current 10A
		Flashing light (No) : 1, 000, 000 3x21W
Ambient temperature	-40℃ ~ +125℃(no condensation)	
Unit weight	One type: Approx.16.0g; Sealed type: Approx20. 5g	

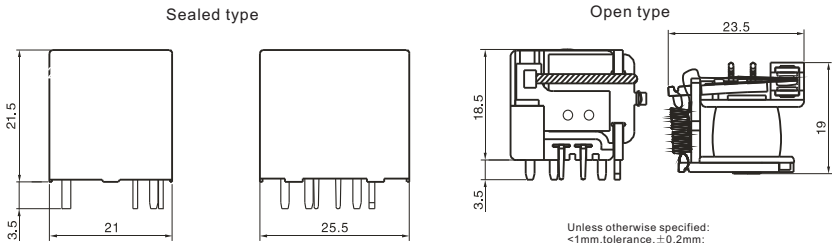
Coil Data(at 20℃)

Nominal voltage (VDC)	Nominal operating current ± 10% (mA)	Coil resistance ± 10% (Ω)	Allowable voltage (Max.)	Pick-up voltage (Max.)	Drop-out voltage (Min.)	Nominal operating power
6	266.67	22.5	150% of nominal voltage	58% of nominal voltage	10% of nominal voltage	Approx. 1.60W
9	180.00	50				
12	133.33	90				
18	89.11	202				
24	66.67	360				
48	33.33	1,440				

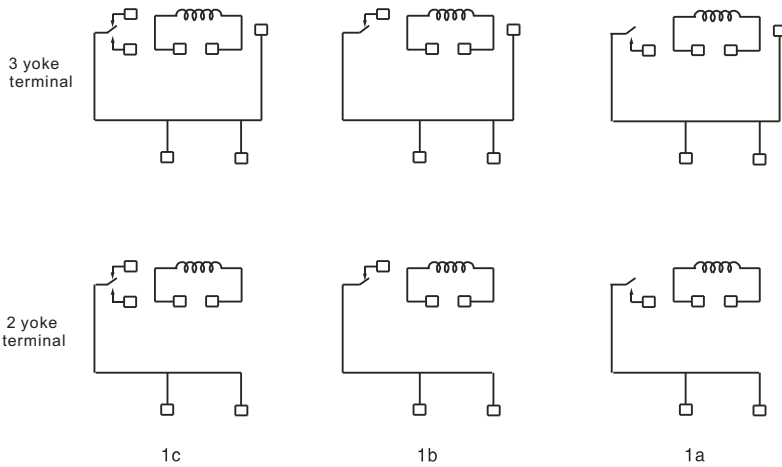
Ordering Information

Nomenclature			
YAR	SS	-1	12 D M U 1-XX
Special Parameter: Nil-Standard type Letter or number-Special requirement			
Yoke Terminal Arrangement: Nil-3yoke terminal, 1-2yoke terminal			
Terminal Arrangement: U-USA E-European			
Contact Form: M-Form A,B-Borm B, Nil-Form C			
Coil Power: D-1.60W			
Coil Voltage(VDC):06,09,12,18, 24, 48			
Number of Pole: 1-Single relay, 2-Dual relay			
Portective Construction:Nil- Open type, SS-Flux proofed SH-Sealed type washable			
Type Designation: YAR			

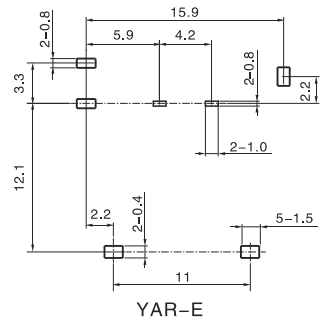
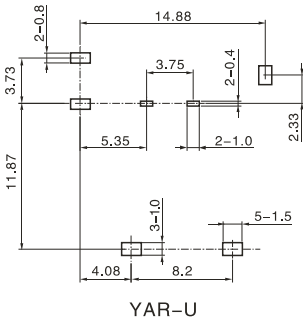
Outline Dimensions,Wiring Diagram,Mounting Holes(Unit:mm)



Unless otherwise specified:
 <1mm,tolerance, ±0.2mm;
 1-5mm,tolerance, ±0.3mm;
 >5mm,tolerance, ±0.4mm;
 Note: 1. Extended terminal dimension is dimension before soldering.
 2. Tolerance of PCB layout: ±0.1mm



Wiring Diagram(bottom view)



Mounting Holes(bottom view)

Typical Applications

- Automotive control, switching box, automation, etc.

Characteristic Curves

